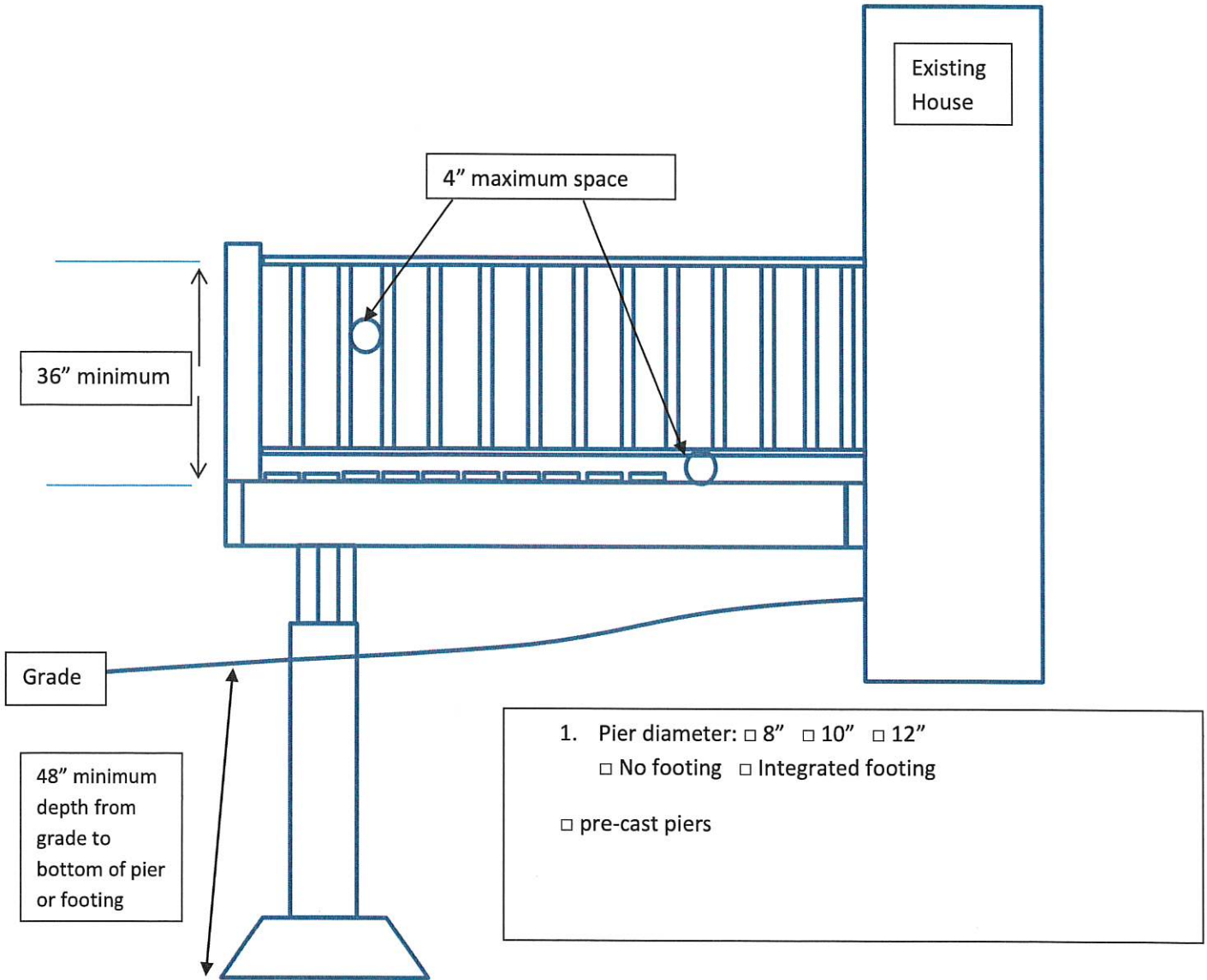


Deck Details

Address: _____

Applicant: _____



Grade

48" minimum depth from grade to bottom of pier or footing

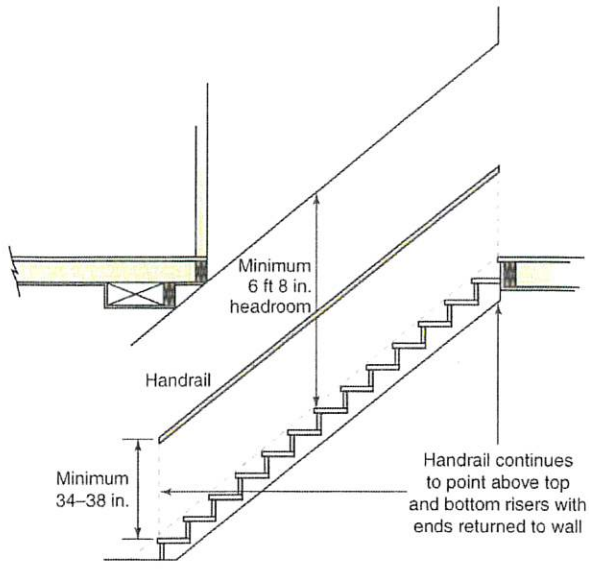
1. Pier diameter: 8" 10" 12"
 - No footing Integrated footing
 - pre-cast piers

2. BEAM
MATERIAL:
SIZE:
SPAN:

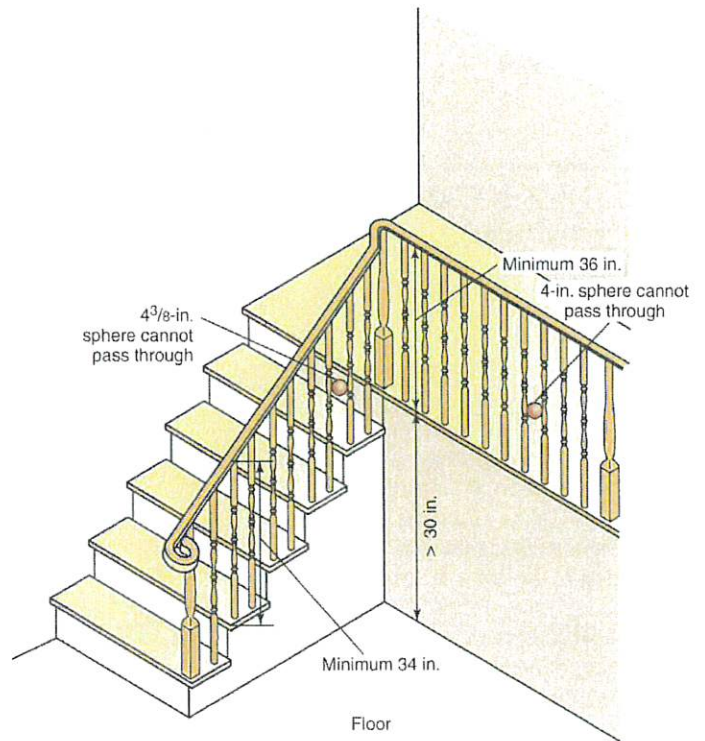
DECKING
Material:
Thickness:

LEDGER ATTACHEMENT
MATERIAL:
SIZE:
SPACING:

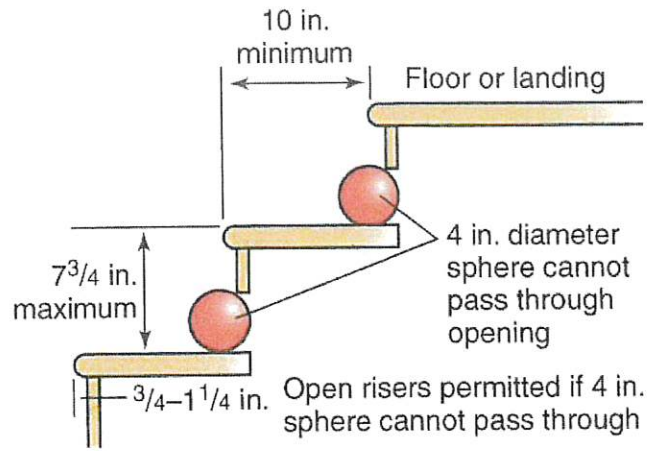
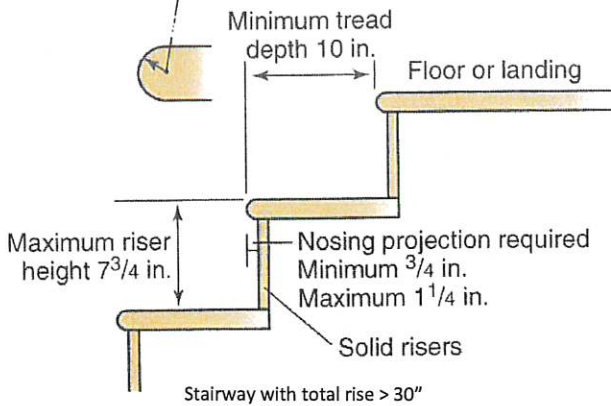
JOISTS
MATERIAL:
SIZE:
SPACING:



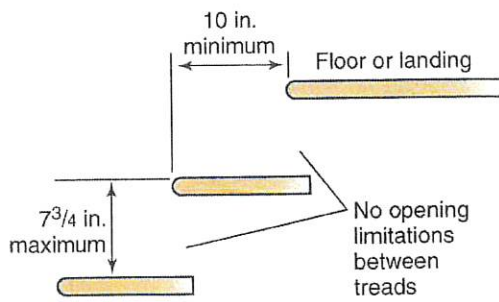
Stairway headroom and handrail height



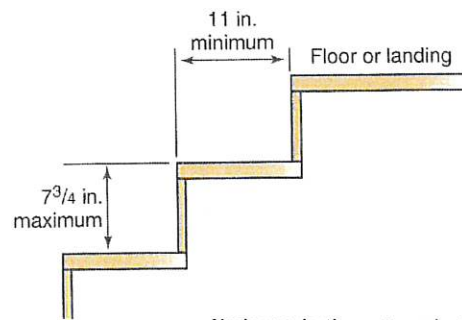
Maximum nosing radius 9/16 in.



Stairway with total rise > 30"



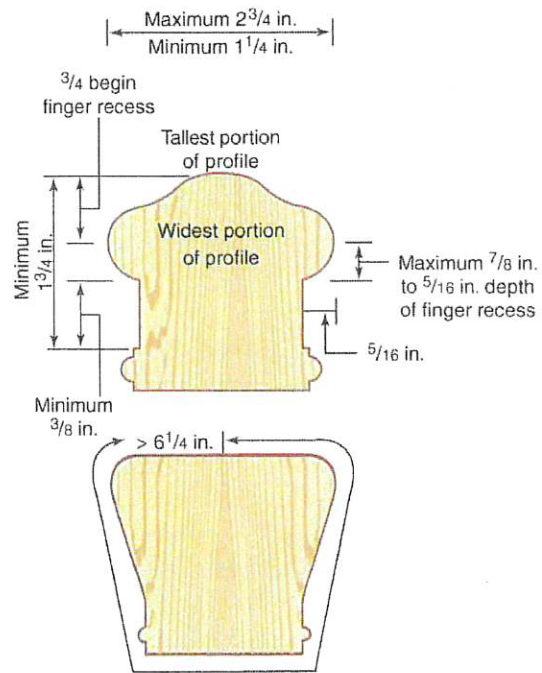
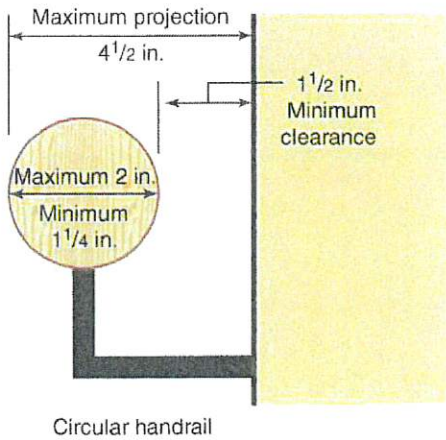
Stairway with total rise < 30"



Nosing projection not required

Handrails, Guards And Stair Requirements

- 1) Handrail height shall not be less than 34" or more than 38" measured vertically above the stair tread nosings
Handrails shall return at each end.
- 2) The required handrail must be well anchored/secured and be made of graspable stock {i.e.: round stock with a diameter no less than 1 1/4" and no greater than 2"; or non-circular stock with a perimeter dimension of at least 4" but not greater than 6 1/4", with the largest cross sectional dimension not exceeding 2 1/4".
- 3) Open guards on decks more than 30" above grade or floor shall have members spaced so that a 4" sphere cannot pass through
- 4) Openings for required guards on the sides of stair treads shall not allow a 4 3/8" sphere to pass through



Type II handrails, perimeter > 6 1/4"

